



DIAMOND CHANNEL GRATING

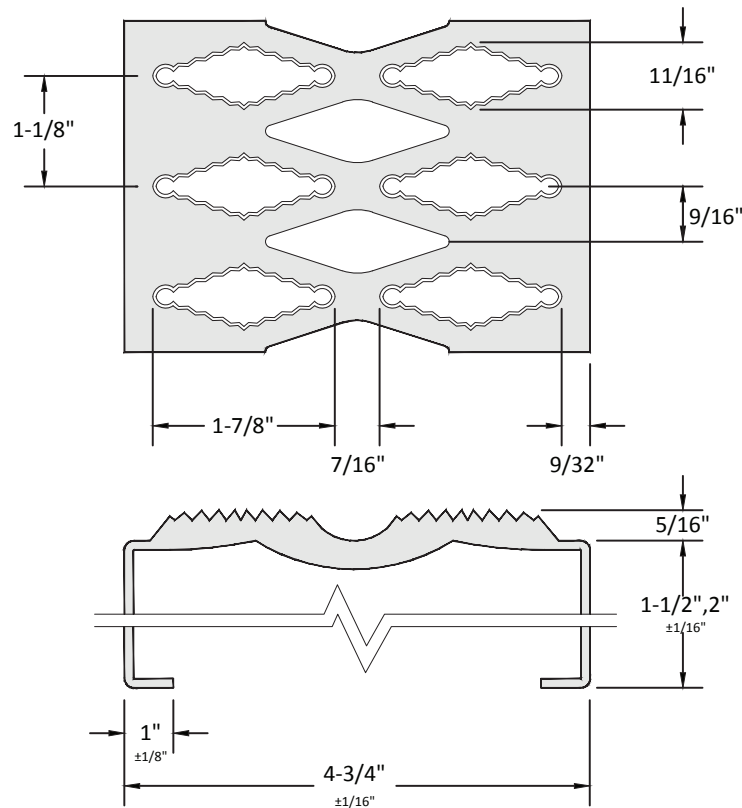
2 Diamond

4-3/4"

(120mm) Wide

3

CHANNEL GRATING



ACCEPTABLE LOADING FOR CLEAR SPAN: UNIFORM/CONCENTRATED (LBS)

WIDTH	DEPTH	ALLOY	GAUGE	24" SPAN	36" SPAN	48" SPAN	60" SPAN	72" SPAN
4-3/4"	1.5"	Galv./Steel	14ga	1516/600	674/400	379/300	243/240 NR	168/200 NR
			12ga	1790/708	798/474	451/357	290/287	203/241 NR
	2.0"	Galv./Steel	14ga	2236/885	994/590	559/443	358/354	248/295
			12ga	2255/892	1005/597	567/449	365/361	255/303
		Alum.	0.080"	1398/553	622/369	350/277	225/222 NR	156/186 NR
			0.125"	2331/978	1097/651	617/489	395/390	275/326
		304ss	14ga	1730/685	772/458	436/345	281/278	196/233
		316ss	14ga	1730/685	772/458	436/345	281/278	196/233

NR = Not Recommended

Loads and deflections are theoretical and based on static loading.



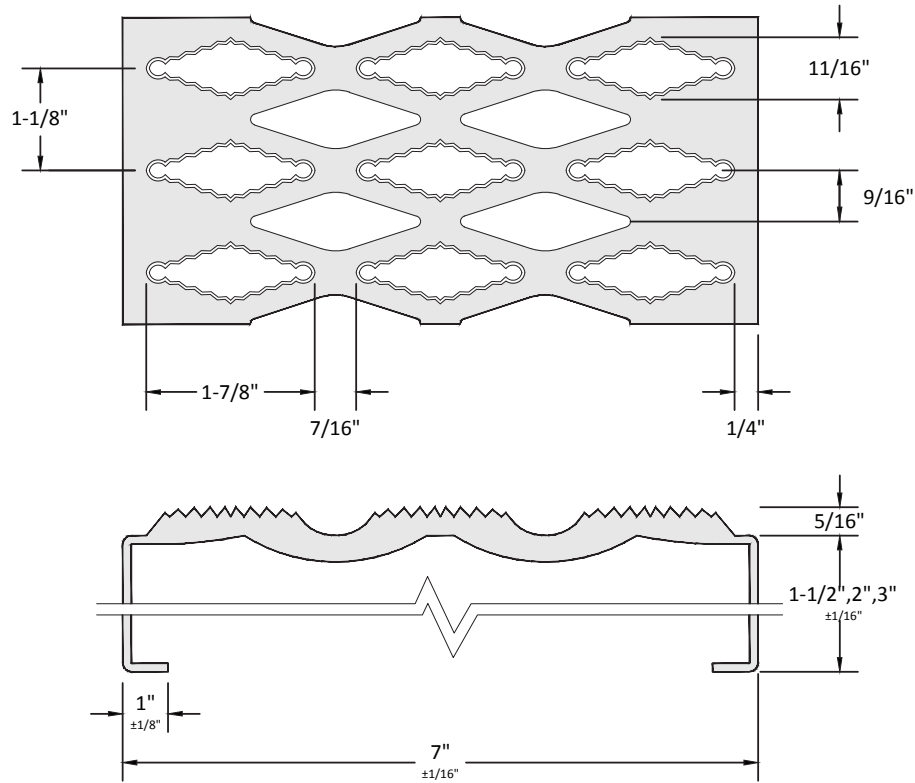


DIAMOND CHANNEL GRATING

3 Diamond

7"

(178mm) Wide



3
CHANNEL
GRATING

ACCEPTABLE LOADING FOR CLEAR SPAN: UNIFORM/CONCENTRATED (LBS)								
WIDTH	DEPTH	ALLOY	GAUGE	24" SPAN	36" SPAN	48" SPAN	60" SPAN	72" SPAN
7"	1.5"	Galv./Steel	14ga	766/447	343/300	194/227	126/183 NR	92/159 NR
			12ga	1304/761	582/509	329/384	212/309	148/259 NR
	2.0"	Galv./Steel	14ga	1374/802	613/536	347/404	223/326	156/273 NR
			12ga	1710/997	762/667	430/502	277/404	194/339
		Alum.	0.080"	975/568	434/380	244/285	157/228 NR	109/191 NR
			0.125"	1514/963	734/642	414/481	264/386	184/321 NR
		304ss	14ga	1819/1061	811/710	458/534	295/430	206/361 NR
		316ss	14ga	1819/1061	811/710	458/534	295/430	206/361 NR

NR = Not Recommended

Loads and deflections are theoretical and based on static loading.





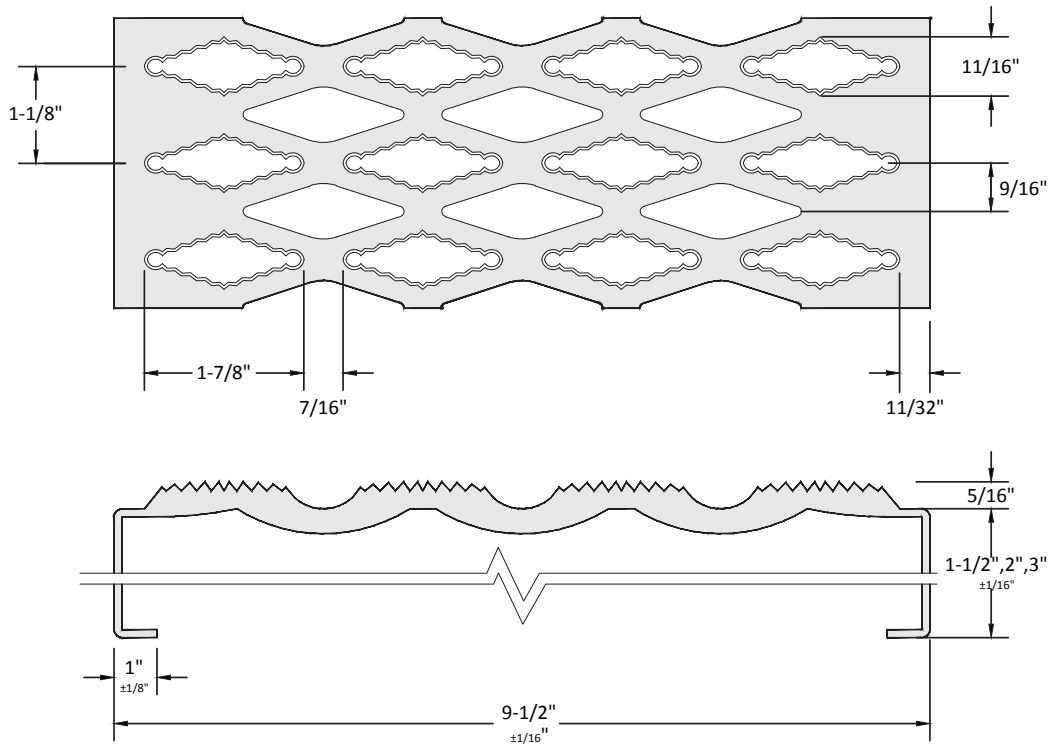
DIAMOND CHANNEL GRATING

4 Diamond

9-1/2"

(241mm) Wide

3
CHANNEL GRATING



ACCEPTABLE LOADING FOR CLEAR SPAN: UNIFORM/CONCENTRATED (LBS)

WIDTH	DEPTH	ALLOY	GAUGE	24" SPAN	36" SPAN	48" SPAN	60" SPAN	72" SPAN
9-1/2"	1.5"	Galv./Steel	14ga	779/617	346/411	195/309	125/247 NR	87/206 NR
			12ga	988/782	441/524	249/395	161/318	113/268 NR
	2.0"	Galv./Steel	14ga	1063/841	474/563	268/425	173/342	121/288 NR
			12ga	1382/1094	616/732	348/551	224/443	157/372
		Alum.	0.080"	800/633	356/422	200/317 NR	128/253 NR	89/211 NR
			0.125"	1116/927	565/671	318/503	204/403	140/335 NR
		304ss	16ga	750/455	330/398	186/299	120/239 NR	82/199 NR
			14ga	1540/915	687/816	388/614	250/494	175/415 NR
	316ss	14ga	1540/915	687/816	388/614	250/494	175/415 NR	
	3.0"	Galv	12ga	2270/1355	1009/1355	567/1098	444/878	308/732

NR = Not Recommended

Loads and deflections are theoretical and based on static loading.



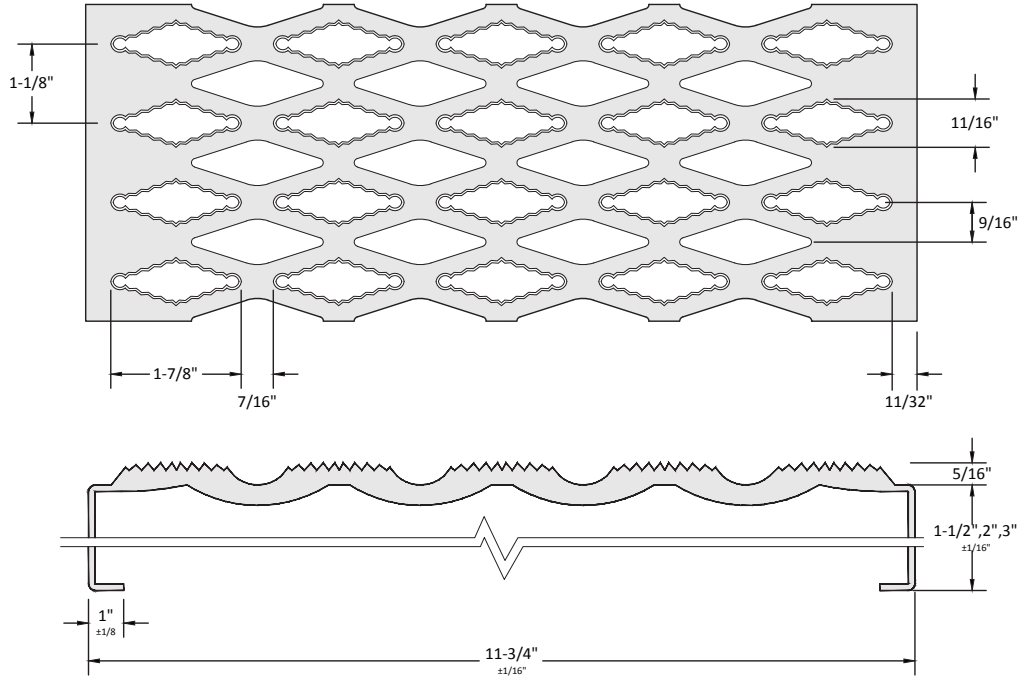


DIAMOND CHANNEL GRATING

5 Diamond

11-3/4"

(298mm) Wide



3
CHANNEL
GRATING

ACCEPTABLE LOADING FOR CLEAR SPAN: UNIFORM/CONCENTRATED (LBS)								
WIDTH	DEPTH	ALLOY	GAUGE	24" SPAN	36" SPAN	48" SPAN	60" SPAN	72" SPAN
11-3/4"	1.5"	Galv./Steel	14ga	543/493	243/357	138/270	89/219 NR	63/185 NR
			12ga	842/815	376/552	212/415	137/334 NR	95/280 NR
	2.0"	Galv./Steel	14ga	895/493	400/493	226/443	146/357	102/299 NR
			12ga	1243/815	554/814	313/613	200/491	139/409 NR
		Alum.	0.080"	715/362	319/362	179/350	114/280 NR	79/233 NR
			0.125"	904/753	451/662	255/495	162/397	113/330 NR
		304ss	16ga	606/376	296/376	167/333	107/266 NR	74/222 NR
			14ga	1276/899	565/830	319/625	206/503 NR	144/423 NR
	316ss	14ga	1276/899	565/830	319/625	206/503 NR	144/423 NR	
	3.0"	Galv.	12ga	1666/815	946/815	532/815	341/815	237/695

NR = Not Recommended

Loads and deflections are theoretical and based on static loading.





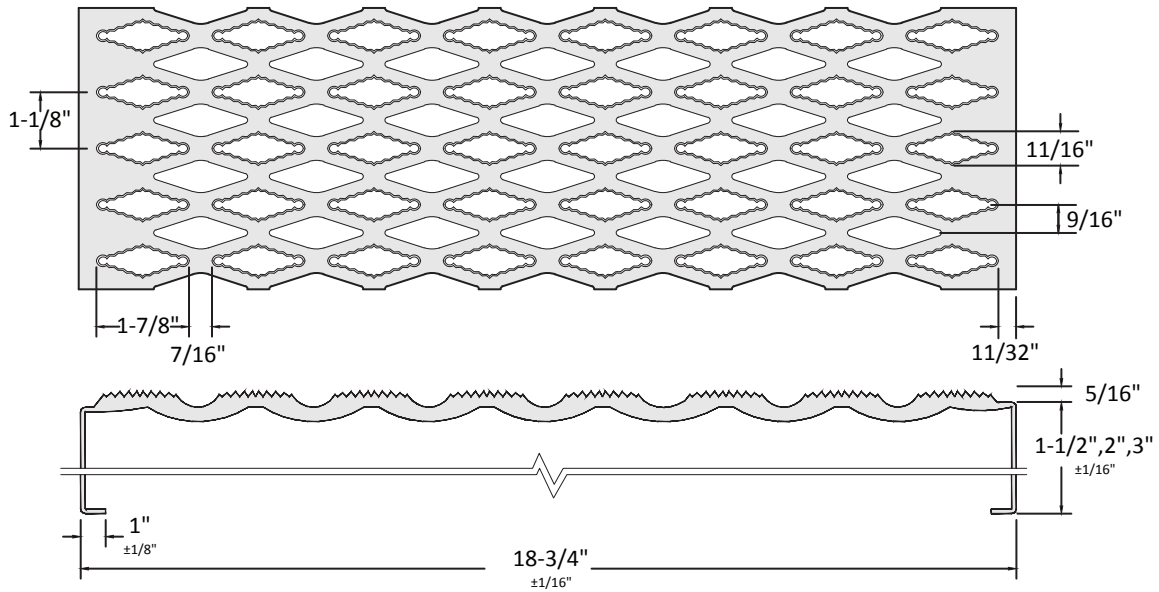
DIAMOND CHANNEL GRATING

8 Diamond

18-3/4"

(476mm) Wide

3
CHANNEL
GRATING



ACCEPTABLE LOADING FOR CLEAR SPAN: UNIFORM/CONCENTRATED (LBS)

WIDTH	DEPTH	ALLOY	GAUGE	24" SPAN	36" SPAN	48" SPAN	60" SPAN	72" SPAN
18-3/4"	1.5"	Galv./Steel	14ga	411/555	182/428	103/321 NR	66/257 NR	46/214 NR
			12ga	553/818	246/576	138/432	89/346 NR	61/288 NR
	2.0"	Galv./Steel	14ga	606/555	269/555	152/474	97/379 NR	67/316 NR
			12ga	825/818	367/818	206/644	132/516 NR	92/430 NR
		Alum.	0.100"	514/537	229/537	129/402 NR	83/323 NR	58/269 nr
	3.0"	Galv	12ga	1047/818	654/818	368/818	235/818	163/766

NR = Not Recommended

Loads and deflections are theoretical and based on static loading.



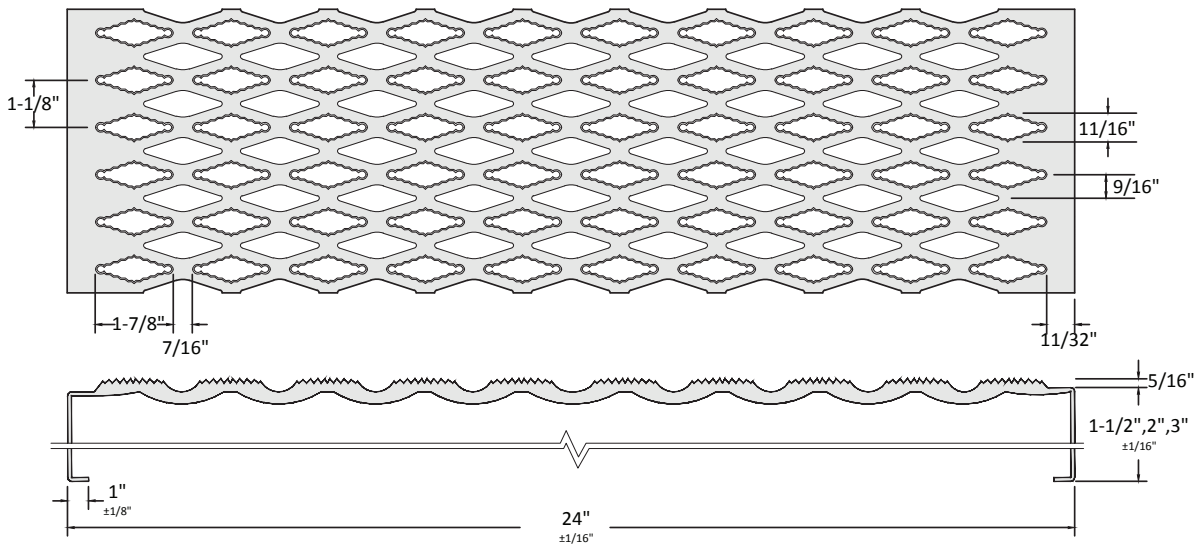


DIAMOND CHANNEL GRATING

10 Diamond

24"
(610mm) Wide

3
CHANNEL
GRATING



ACCEPTABLE LOADING FOR CLEAR SPAN: UNIFORM/CONCENTRATED (LBS)								
WIDTH	DEPTH	ALLOY	GAUGE	24" SPAN	36" SPAN	48" SPAN	60" SPAN	72" SPAN
24"	1.5"	Galv./Steel	14ga	367/571	163/489	92/367 NR	59/293 NR	41/245 NR
			12ga	496/861	220/661	124/496 NR	79/397 NR	55/332 NR
	2.0"	Galv./Steel	14ga	539/571	240/571	135/539	86/431 NR	60/359 NR
			12ga	738/861	328/861	185/738	118/590 NR	82/492 NR
	3.0"	Galv	12ga	861/861	580/861	326/861	209/861	145/861

NR = Not Recommended

Loads and deflections are theoretical and based on static loading.

