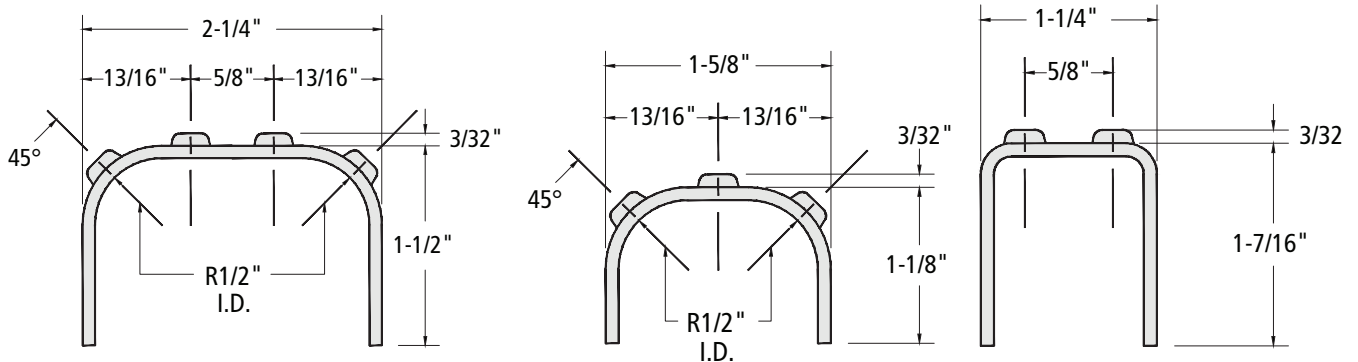
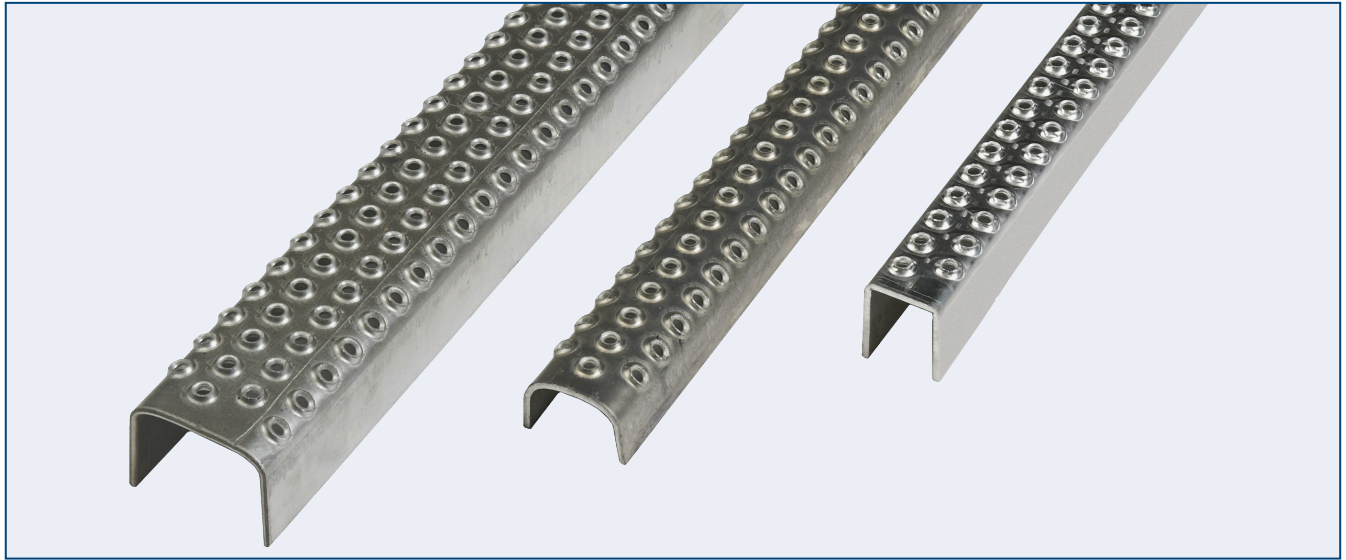




LADDER RUNG

60"

1524mm



SAFE ALLOWABLE CONCENTRATED LOAD (LBS)							
TYPE	GAUGE	ALLOY	DEPTH	16" SPAN	18" SPAN	20" SPAN	24" SPAN
2 hole 1-1/4"	13ga	HRPO	1-7/16"	508	451	401	338
	11ga	HRPO	1-7/16"	664	590	531	443
	.125"	Alum	1-7/16"	471	418	377	314
	16ga	304ss	1-7/16"	345	306	276	230
	14ga	316ss	1-7/16"	414	367	331	276
3 hole 1-5/8"	13ga	HRPO	1-1/8"	375	334	300	250
	11ga	HRPO	1-1/8"	474	422	379	316
	.125"	Alum	1-1/8"	337	299	269	224
	16ga	304ss	1-1/8"	260	231	208	nr
	14ga	316ss	1-1/8"	312	277	250	222
4 hole 2-1/4"	13ga	HRPO	1-1/2"	862	766	689	574
	11ga	HRPO	1-1/2"	1138	1012	911	759
	.125"	Alum	1-1/2"	810	720	649	540
	16ga	304ss	1-1/2"	580	516	464	387
	14ga	316ss	1-1/2"	696	619	557	464

Loads and deflections are theoretical and based on static loading.
Ladder rung supplied at 60" lengths. Customs lengths and coping upon request.

