



**ACCURATE**  
SCREEN & GRATING

# FIBREGLASS GRATING - PULTRUDED

I-6015

I-BAR

1.5" x 0.60" x 0.90" I-BAR (GRIT-TOP/NON GRIT-TOP)

**VANCOUVER**

19082-28th Avenue  
Surrey, BC  
Canada V3S 6M3  
TF: 877.687.3488

**CALGARY**

7571-57th Street SE  
Calgary, AB  
Canada T2C 5M2  
TF: 877.857.0323

**EDMONTON**

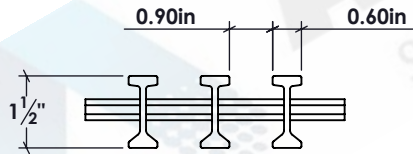
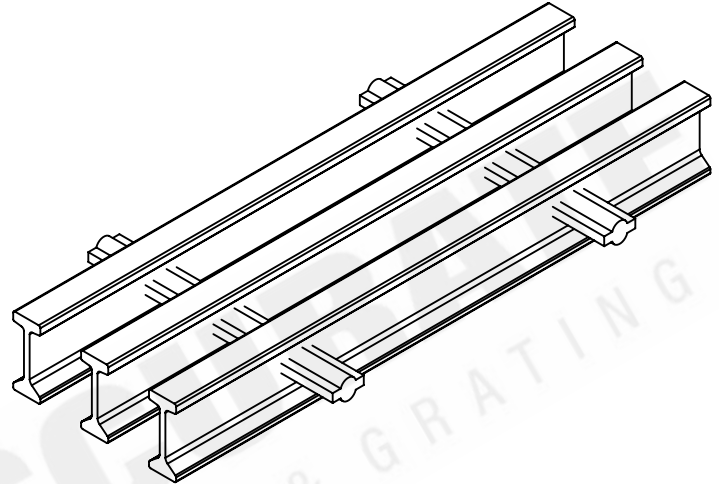
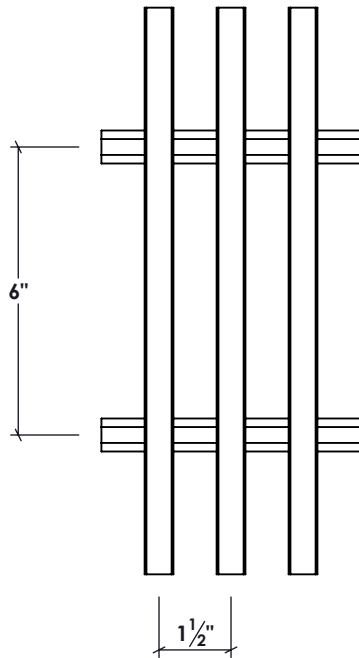
#54-1015 Eby Road SW  
Edmonton, AB  
Canada T6X 2N9  
TF: 877.857.0323

**TORONTO**

#5-5655 Kennedy Rd  
Mississauga, ON  
Canada L4Z 3E1  
TF: 877.564.3381

**MONTREAL**

440 Rue Stinson  
Saint Laurent, QC  
Canada H4N 2E9  
TF: 855.325.3826



DEFLECTION IN INCHES - I-BAR PULTRUDED GRATING LOAD TABLES - UNIFORM / CONCENTRATED

SPAN (INCHES)	BEARING BAR DIMENSIONS		SPACING BETWEEN BARS		LOAD (LB/SF)								Max Recommended Load (Lb/SF)
	HEIGHT (INCHES)	WIDTH (INCHES)	CENTER TO CENTER	GAP BETWEEN BARS	100	200	300	400	500	750	1000	2000	
12	1.5"	.60"	1.5"	.90"	.001 / .001	.001 / .002	.002 / .003	.003 / .004	.003 / .005	.005 / .008	.006 / .010	.013 / .020	17601 / 8800
18	1.5"	.60"	1.5"	.90"	.003 / .003	.006 / .006	.009 / .010	.012 / .013	.015 / .016	.023 / .024	.030 / .032	.061 / .065	7823 / 5867
24	1.5"	.60"	1.5"	.90"	.009 / .007	.018 / .015	.027 / .022	.037 / .029	.046 / .037	.069 / .055	.091 / .073	.183 / .146	4400 / 4400
30	1.5"	.60"	1.5"	.90"	.022 / .014	.043 / .028	.065 / .041	.086 / .055	.108 / .069	.161 / .103	.215 / .138	.430 / .276	2773 / 3467
36	1.5"	.60"	1.5"	.90"	.044 / .023	.087 / .047	.131 / .070	.175 / .093	.218 / .116	.327 / .175	.436 / .233		1896 / 2845
42	1.5"	.60"	1.5"	.90"	.079 / .036	.159 / .072	.238 / .109	.317 / .145	.396 / .181	.595 / .272			1361 / 2381
48	1.5"	.60"	1.5"	.90"	.133 / .053	.266 / .107	.400 / .160	.533 / .213	.666 / .266				1017 / 2033
54	1.5"	.60"	1.5"	.90"	.211 / .075	.422 / .150	.633 / .225						777 / 1748

**TABLE OF SAFE LOADS - IMPERIAL**

U - Safe Uniform Load, in lbs. per sq. ft.

C - Safe Concentrated Load, in lbs. per foot of grating width.

**GENERAL**

Loads and deflections are theoretical and based on static loading.