



ACCURATE
SCREEN & GRATING

BAR GRATING - TREADS

9-3/4" X 30" - 8 BAR

VANCOUVER

19082-28th Avenue
Surrey, BC
Canada V3S 6M3
TF: 877.687.3488

CALGARY

7571-57th Street SE
Calgary, AB
Canada T2C 5M2
TF: 877.857.0323

EDMONTON

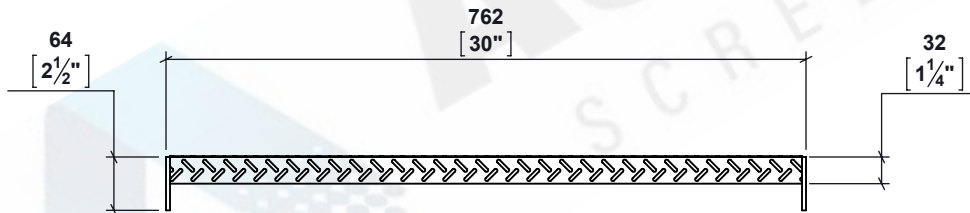
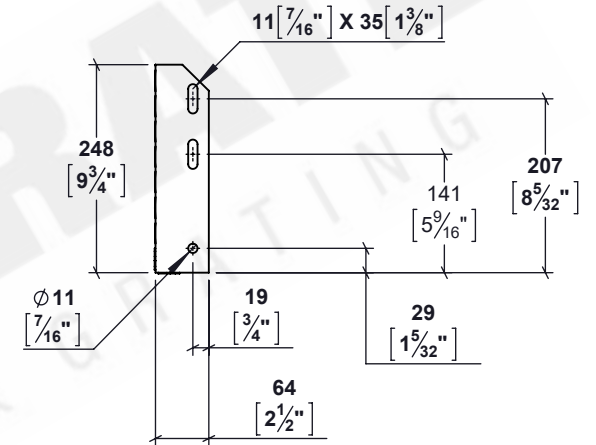
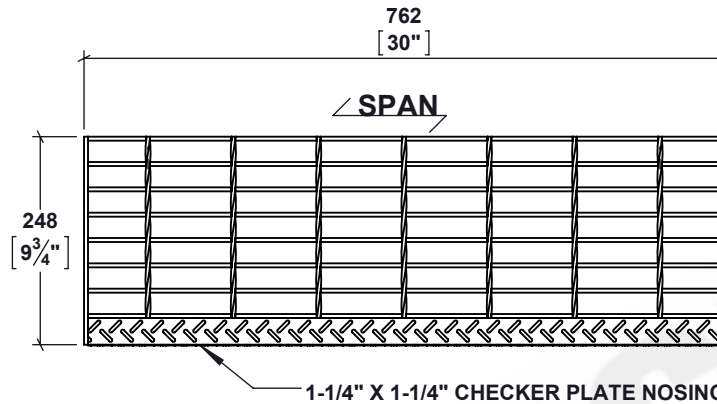
#54-1015 Eby Road SW
Edmonton, AB
Canada T6X 2N9
TF: 877.857.0323

TORONTO

#5-5655 Kennedy Rd
Mississauga, ON
Canada L4Z 3E1
TF: 877.564.3381

MONTREAL

440 Rue Stinson
Saint Laurent, QC
Canada H4N 2E9
TF: 855.325.3826



STAIR TREADS SUPPLIED WITH 1-1/4" X 3/16" PLAIN OR SERRATED 19W4 GRATING
 COMPLETE WITH CHECKER PLATE NOSING AND STANDARD END PLATES
 AVAILABLE IN BARE, PAINTED BLACK, PAINTED RED, AND GALVANIZED (GALV. +10% LBS)
 ALUMINUM AND STAINLESS STEEL AVAILABLE