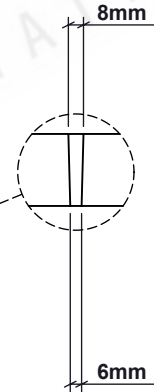
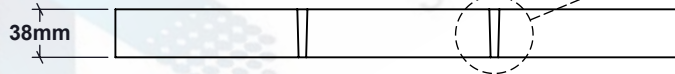
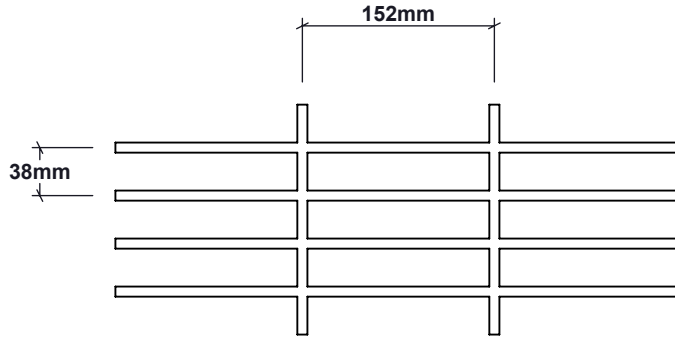
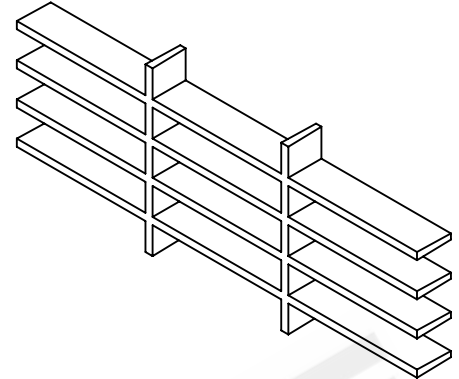




ACCURATE
SCREEN & GRATING

FIBREGLASS GRATING - MOLDED

38 x 38 x 152 RECTANGLE (GRIT-TOP/NON GRIT-TOP)



VANCOUVER

19082-28th Avenue
Surrey, BC
Canada V3S 6M3
TF: 877.687.3488

CALGARY

7571-57th Street SE
Calgary, AB
Canada T2C 5M2
TF: 877.857.0323

EDMONTON

#54-1015 Eby Road SW
Edmonton, AB
Canada T6X 2N9
TF: 877.857.0323

TORONTO

#5-5655 Kennedy Rd
Mississauga, ON
Canada L4Z 3E1
TF: 877.564.3381

MONTREAL

440 Rue Stinson
Saint Laurent, QC
Canada H4N 2E9
TF: 855.325.3826

| METRIC LOAD TABLE | | | | | | | | | | | | |
|-------------------|--------------|--------------|-------------|-------------|-------------|-------------|-------------|-------------|-------|----------------------------|----------------------|---------------|
| SPAN (MM) | GRATING TYPE | | LOAD (KPA) | | | | | | | Max Recommended Load (KPA) | Breaking Point (KPA) | |
| | HEIGHT (MM) | OPENING (MM) | 2.40 | 4.79 | 7.19 | 9.58 | 14.37 | 23.95 | 47.90 | | | 95.80 |
| 305 | 38 | 38 X 152 | <0.3 / <0.3 | <0.3 / <0.3 | <0.3 / <0.3 | <0.3 / <0.3 | 0.56 / 0.56 | 0.94 / 0.94 | | | 102.3 / 102.3 | 511.6 / 511.6 |
| 457 | 38 | 38 X 152 | <0.3 / <0.3 | 0.48 / 0.48 | 0.71 / 0.71 | 0.97 / 0.97 | 1.45 / 1.45 | 2.41 / 2.41 | | | 61.5 / 6.51 | 307.5 / 307.5 |
| 610 | 38 | 38 X 152 | 0.38 / 0.38 | 0.76 / 0.76 | 1.14 / 1.14 | 1.52 / 1.52 | 2.29 / 2.29 | 3.81 / 3.81 | | | 45.8 / 45.8 | 229.0 / 229.0 |
| 762 | 38 | 38 X 152 | 0.64 / 0.64 | 1.27 / 1.27 | 1.91 / 1.91 | 2.54 / 2.54 | 3.81 / 3.81 | 6.35 / 6.35 | | | 35.2 / 35.2 | 175.8 / 175.8 |
| 914 | 38 | 38 X 152 | 0.97 / 0.97 | 1.93 / 1.93 | 2.90 / 2.90 | 3.86 / 3.86 | 5.79 / 5.79 | | | | 27.7 / 27.7 | 138.4 / 138.4 |
| 1067 | 38 | 38 X 152 | 1.47 / 1.47 | 2.92 / 2.92 | 4.39 / 4.39 | 5.84 / 5.84 | | | | | 22.6 / 22.6 | 113.0 / 113.0 |

TABLE OF SAFE LOADS - METRIC

U - Safe Uniform Load, in KPA
C - Safe Concentrated Load, in KPA

GENERAL

Loads and deflections are theoretical and based on static loading.