



WALKWAY - DIMPLE PLATE

ACCURATE
SCREEN & GRATING

VANCOUVER

19082-28th Avenue
Surrey, BC
Canada V3S 6M3
TF: 877.687.3488

CALGARY

7571-57th Street SE
Calgary, AB
Canada T2C 5M2
TF: 877.857.0323

EDMONTON

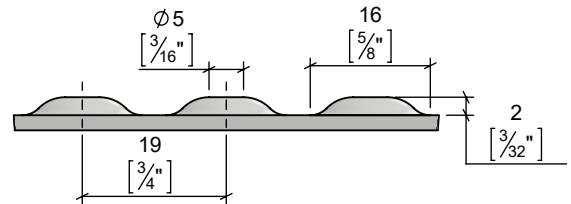
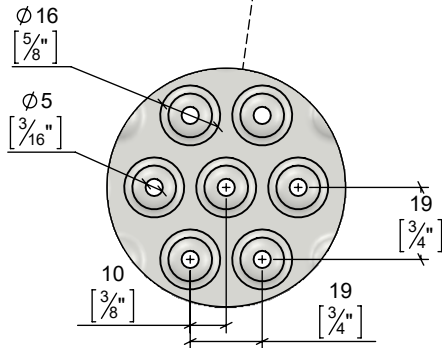
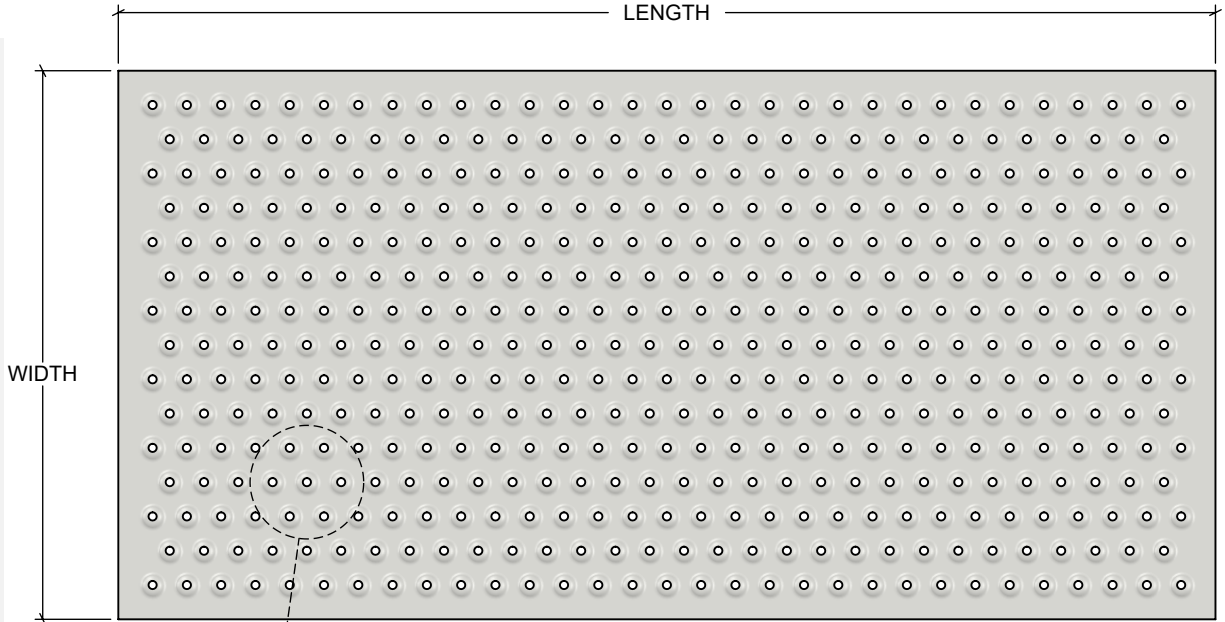
#54-1015 Eby Road SW
Edmonton, AB
Canada T6X 2N9
TF: 877.857.0323

TORONTO

#5-5655 Kennedy Rd
Mississauga, ON
Canada L4Z 3E1
TF: 877.564.3381

MONTREAL

440 Rue Stinson
Saint Laurent, QC
Canada H4N 2E9
TF: 855.325.3826



DIMPLE PLATE IS APPLIED AS A SURFACE SHEET AND IS NON LOAD BEARING			
ALLOY	GAUGE	WIDTH	LENGTH
ALUM.	0.125"	36"	120"
ALUM.	0.125"	48"	120"
ALUM.	0.125"	48"	96"
HRPO STEEL	11ga.	36"	120"
HRPO STEEL	13ga.	36"	120"
HRPO STEEL	14ga.	48"	96"
GALVANIZED	11ga.	36"	120"
GALVANIZED	13ga.	36"	120"
304 SS	16ga.	48"	120"