



ACCURATE
SCREEN & GRATING

FIBREGLASS GRATING - PULTRUDED

I-6010

I-BAR

1" x 0.60" x 0.90" I-BAR (GRIT-TOP/NON GRIT-TOP)

VANCOUVER

19082-28th Avenue
Surrey, BC
Canada V3S 6M3
TF: 877.687.3488

CALGARY

7571-57th Street SE
Calgary, AB
Canada T2C 5M2
TF: 877.857.0323

EDMONTON

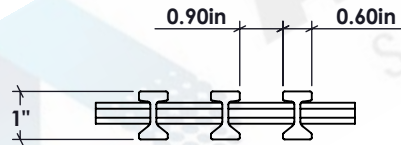
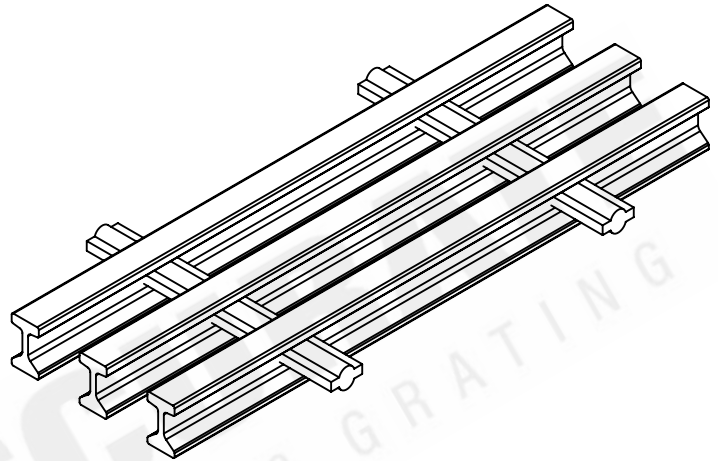
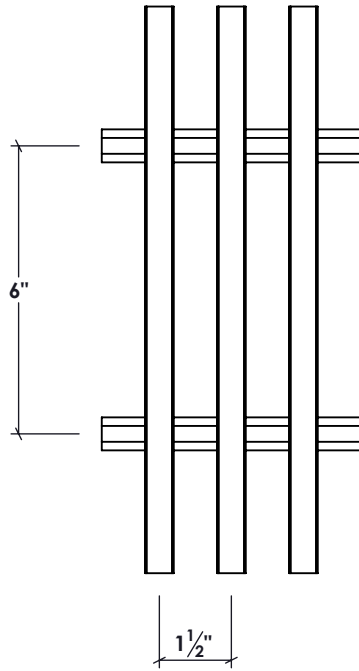
#54-1015 Eby Road SW
Edmonton, AB
Canada T6X 2N9
TF: 877.857.0323

TORONTO

#5-5655 Kennedy Rd
Mississauga, ON
Canada L4Z 3E1
TF: 877.564.3381

MONTREAL

440 Rue Stinson
Saint Laurent, QC
Canada H4N 2E9
TF: 855.325.3826



DEFLECTION IN INCHES - I-BAR PULTRUDED GRATING LOAD TABLES - UNIFORM / CONCENTRATED

SPAN (INCHES)	BEARING BAR DIMENSIONS		SPACING BETWEEN BARS		LOAD (LB/SF)								Max Recommended Load (Lb/SF)
	HEIGHT (INCHES)	WIDTH (INCHES)	CENTER TO CENTER	GAP BETWEEN BARS	100	200	300	400	500	750	1000	2000	
12	1"	.60"	1.5"	.90"	.002 / .003	.004 / .006	.005 / .009	.007 / .012	.009 / .015	.014 / .022	.018 / .029	.036 / .058	10401 / 5200
18	1"	.60"	1.5"	.90"	.008 / .009	.017 / .018	.025 / .027	.033 / .036	.042 / .045	.063 / .067	.084 / .089	.167 / .179	4954 / 3716
24	1"	.60"	1.5"	.90"	.025 / .020	.050 / .040	.075 / .060	.100 / .080	.124 / .100	.187 / .149	.249 / .199	.498 / .398	2900 / 2900
30	1"	.60"	1.5"	.90"	.058 / .037	.116 / .074	.174 / .111	.231 / .148	.289 / .185	.434 / .278	.579 / .370		1856 / 2320
36	1"	.60"	1.5"	.90"	.115 / .061	.230 / .123	.345 / .184	.460 / .245	.575 / .307				1289 / 1233
42	1"	.60"	1.5"	.90"	.211 / .096	.422 / .193	.633 / .289						943 / 1649
48	1"	.60"	1.5"	.90"	.353 / .141	.705 / .282							719 / 1437
54	1"	.60"	1.5"	.90"	.563 / .200								566 / 1274

TABLE OF SAFE LOADS - IMPERIAL

U - Safe Uniform Load, in lbs. per sq. ft.

C - Safe Concentrated Load, in lbs. per foot of grating width.

GENERAL

Loads and deflections are theoretical and based on static loading.

DEFLECTION IN MILLIMETER - I-BAR PULTRUDED GRATING LOAD TABLES - UNIFORM / CONCENTRATED

SPAN	BEARING BAR DIMENSIONS		SPACING BETWEEN BARS		LOAD (KPA)								Max Recommended
	HEIGHT (INCHES)	WIDTH (INCHES)	CENTER TO CENTER	GAP BETWEEN BARS	100	200	300	400	500	750	1000	2000	