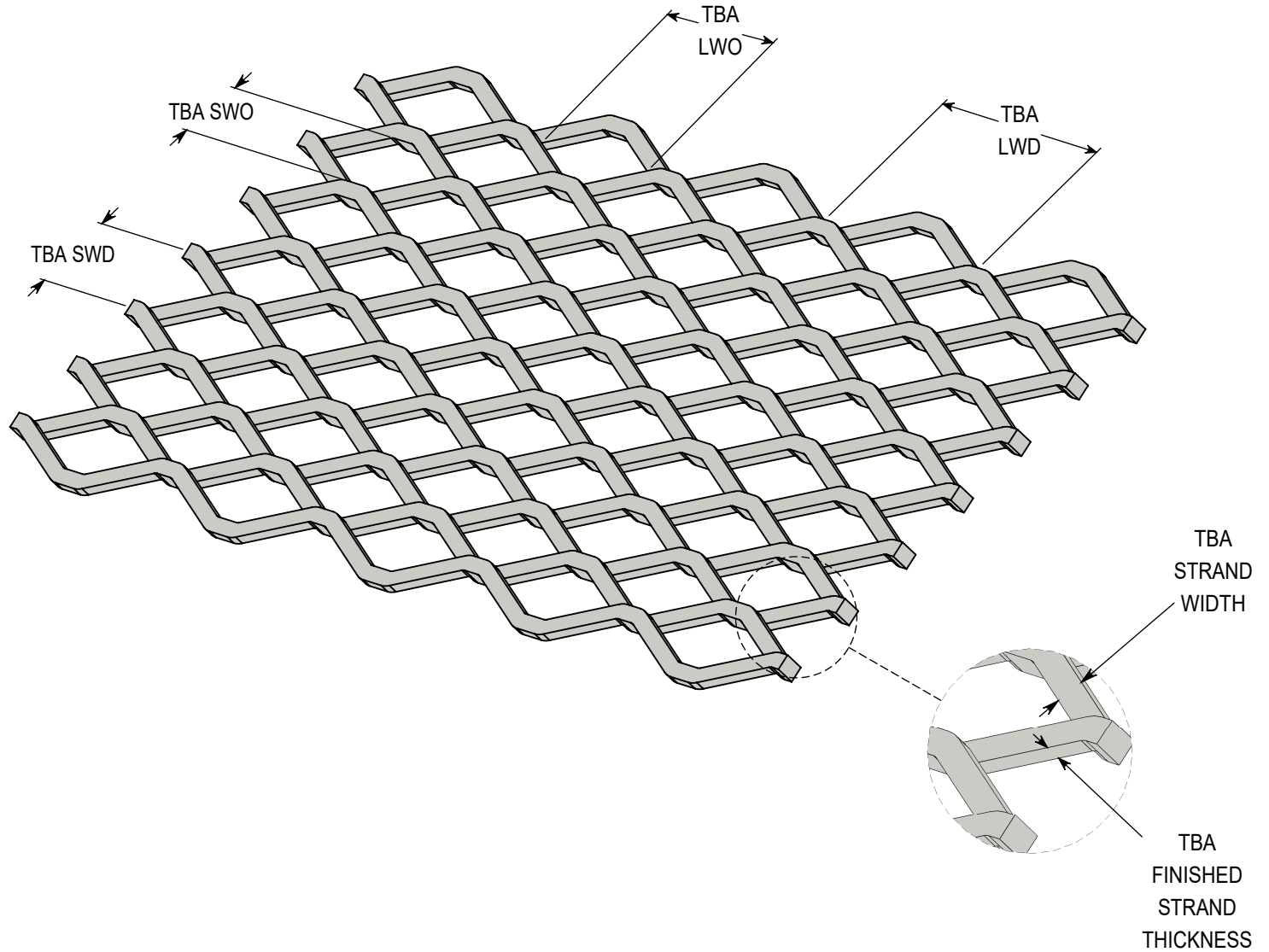




**ACCURATE**  
SCREEN & GRATING

# EXPANDED METAL - RAISED

1/4" - #18 - CARBON STEEL



**\*DRAWING NOT TO SCALE\***

NOTE: ALL DRAWINGS ARE THE PROPERTY OF ACCURATE SCREEN LTD./1238229 ALBERTA INC.

**VANCOUVER**

19082-28th Avenue  
Surrey, BC  
Canada V3S 6M3  
TF: 877.687.3488

**CALGARY**

7571-57th Street SE  
Calgary, AB  
Canada T2C 5M2  
TF: 877.857.0323

**EDMONTON**

#54-1015 Eby Road SW  
Edmonton, AB  
Canada T6X 2N9  
TF: 877.857.0323

**TORONTO**

#5-5655 Kennedy Rd  
Mississauga, ON  
Canada L4Z 3E1  
TF: 877.564.3381

**MONTREAL**

440 Rue Stinson  
Saint Laurent, QC  
Canada H4N 2E9  
TF: 855.325.3826

[www accuratescreen.ca](http://www accuratescreen.ca)