



**ACCURATE**  
SCREEN & GRATING

**VANCOUVER**

19082-28th Avenue  
Surrey, BC  
Canada V3S 6M3  
TF: 877.687.3488

**CALGARY**

7571-57th Street SE  
Calgary, AB  
Canada T2C 5M2  
TF: 877.857.0323

**EDMONTON**

#54-1015 Eby Road SW  
Edmonton, AB  
Canada T6X 2N9  
TF: 877.857.0323

**TORONTO**

#5-5655 Kennedy Rd  
Mississauga, ON  
Canada L4Z 3E1  
TF: 877.564.3381

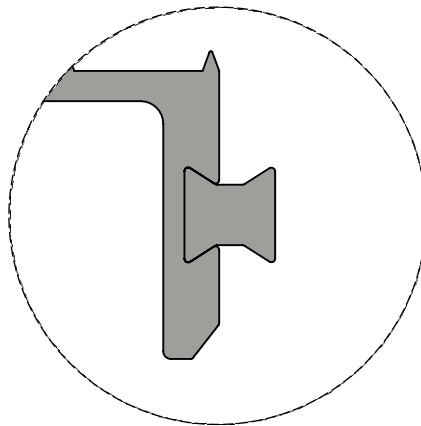
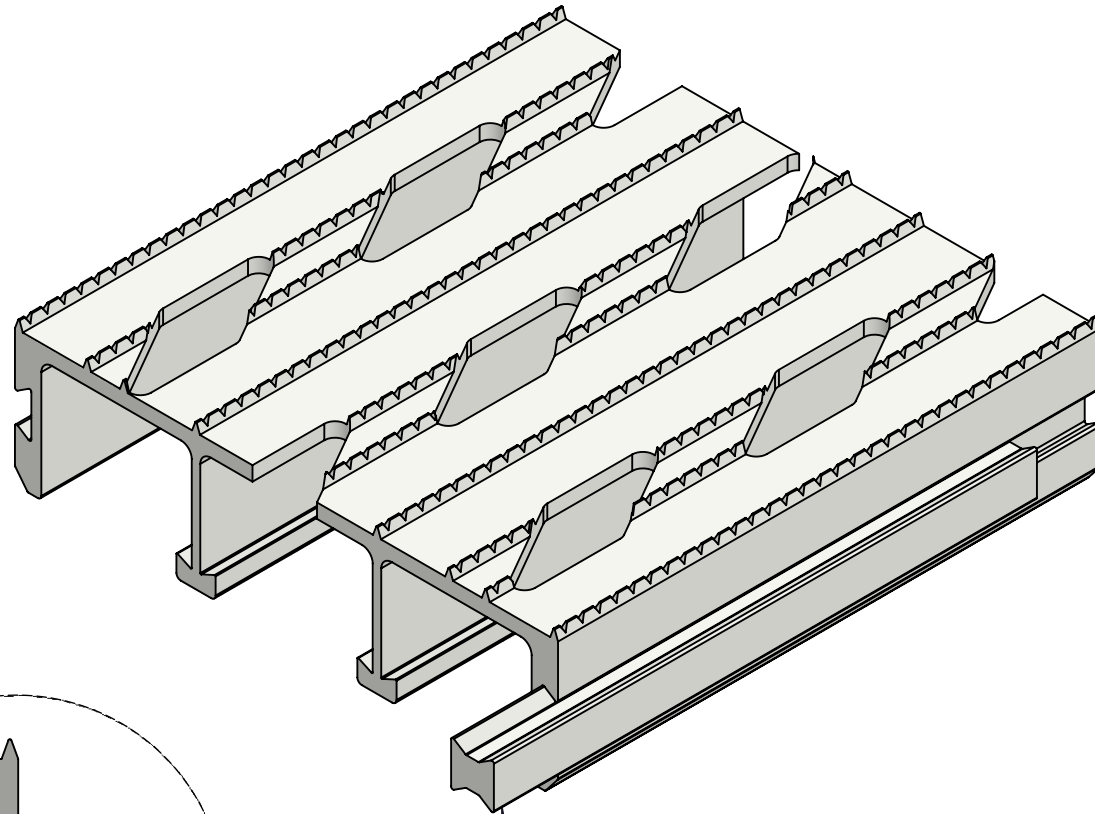
**MONTREAL**

440 Rue Stinson  
Saint Laurent, QC  
Canada H4N 2E9  
TF: 855.325.3826

[www accuratescreen.ca](http://www accuratescreen.ca)

# WALKWAY - ALUMINUM DECKING

## DOVETAIL INTER-LOCK CONNECTION



DOVETAIL INTER-LOCK REQUIRED TO CONNECT OPEN AND SOLID EXTRUDED ALUMINUM DECKING PLANKS. AVAILABLE IN CUT LENGTHS UP TO 144" AND MILL STOCK LENGTHS.

NOTE: ALL DRAWINGS ARE THE PROPERTY OF ACCURATE SCREEN LTD./1238229 ALBERTA INC.