



ACCURATE
SCREEN & GRATING

VANCOUVER

19082-28th Avenue
Surrey, BC
Canada V3S 6M3
TF: 877.687.3488

CALGARY

7571-57th Street SE
Calgary, AB
Canada T2C 5M2
TF: 877.857.0323

EDMONTON

#54-1015 Eby Road SW
Edmonton, AB
Canada T6X 2N9
TF: 877.857.0323

TORONTO

#5-5655 Kennedy Rd
Mississauga, ON
Canada L4Z 3E1
TF: 877.564.3381

MONTREAL

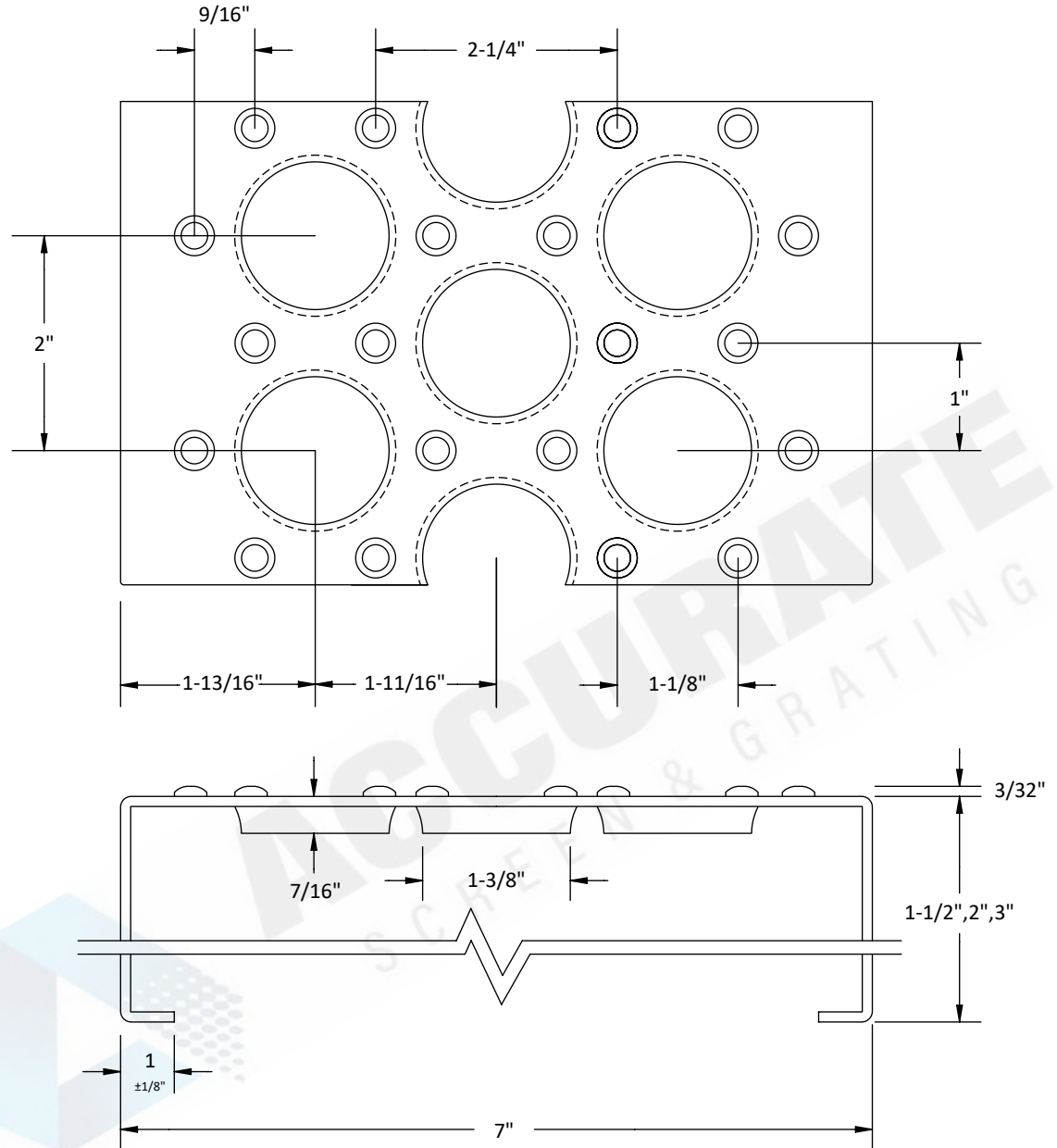
440 Rue Stinson
Saint Laurent, QC
Canada H4N 2E9
TF: 855.325.3826

ROUND CHANNEL GRATING

7"

178mm WIDE

3 HOLE



ACCEPTABLE LOADING FOR CLEAR SPAN: UNIFORM/CONCENTRATED (LBS)

WIDTH	DEPTH	ALLOY	GAUGE	24" SPAN	36" SPAN	48" SPAN	60" SPAN	72" SPAN
7"	1.5"	Galv./Steel	13ga	1489/793	664/581	375/437	241/352	169/295
			11ga	1921/1098	856/749	483/564	310/453	217/379
	2.0"	Galv./Steel	13ga	2229/793	993/793	560/654	360/525	251/440
			11ga	2995/1098	1333/1098	752/877	483/704	336/589
		Alum.	0.125ga	1984/1157	882/771	496/579	317/463	220/386
		304ss	14ga	2147/1253	955/835	537/626	344/501	239/418
		316ss	14ga	2147/1253	955/835	537/626	344/501	239/418
	3.0"	Galv.	11ga	3765/1098	2503/1098	1410/1098	904/1098	629/1098

Loads and deflections are theoretical and based on static loading.

NOTE: ALL DRAWINGS ARE THE PROPERTY OF ACCURATE SCREEN LTD./1238229 ALBERTA INC.