

Expanded Metal - Raised. Weights and Dimensions

CARBON STEEL – RAISED

STYLE	LBS. PER 4 X 8 SHEET		DESIGN SIZE (IN.)		STRAND WIDTH (IN.)	OVERALL THICKNESS (IN.)	% OPEN AREA
	PLAIN	GALV. WT.	SWD	LWD	WIDTH		
3/16 #22	18.0	N/R	0.203	0.500	0.047	0.070	55
3/16 #20	29.0	N/R	0.203	0.500	0.063	0.080	40
1/4" #20	27.5	N/R	0.312	1.000	0.072	0.130	54
1/4" #18	36.5	N/R	0.312	1.000	0.072	0.130	54
5/16" #20	18.0	N/R	0.333	1.000	0.063	0.125	60
5/16" #18	33.0	N/R	0.333	1.000	0.094	0.170	48
1/2" #20	14.0	16.0	0.500	1.200	0.072	0.140	80
1/2" #18	22.5	27.0	0.500	1.200	0.088	0.172	72
1/2" #16	27.5	31.0	0.500	1.200	0.087	0.175	65
1/2" #13	47.0	55.0	0.500	1.200	0.096	0.204	57
3/4" #16	17.0	21.0	0.923	2.000	0.101	0.210	78
3/4" #13	25.5	29.5	0.923	2.000	0.096	0.205	76
3/4" #10 (13ga)	38.5	43.5	0.923	2.000	0.144	0.290	72
3/4" #9 (10ga)	57.5	62.5	0.923	2.000	0.150	0.312	68
1" #16	14.0	16.0	1.000	2.400	0.087	0.192	82
1" #14	25.0	29.0	1.000	2.250	0.125	0.225	75
1" #12	31.0	35.0	1.000	2.250	0.109	0.225	78
1" #10H	64.0	71.0	1.000	2.250	0.180	0.390	60
1" #7	115.0	121.0	1.000	2.250	0.240	0.450	52
1-1/2" #16	13.0	15.0	1.330	3.000	0.108	0.230	85
1-1/2" #13	19.0	22.0	1.330	3.000	0.105	0.242	85
1-1/2" #12	23.5	27.0	1.330	3.000	0.109	0.225	83
1-1/2" #10 (13ga)	25.0	28.5	1.330	3.000	0.138	0.284	80
1-1/2" #9 (10ga)	38.5	42.0	1.330	3.000	0.144	0.312	76
1-1/2" #10H	64.0	70.5	1.330	3.000	0.240	0.460	72
1-1/2" #6 (6ga)	80.0	87.0	1.330	3.000	0.203	0.433	69

STAINLESS STEEL – RAISED

STYLE	LBS. PER 4 X 8 SHEET	DESIGN SIZE (IN.)		STRAND WIDTH (IN.)	OVERALL THICKNESS (IN.)	% OPEN AREA
	PLAIN	SWD	LWD	WIDTH		
1/4" #18	31.0	0.312	1.000	0.072	0.140	54
1/2" #20	16.0	0.500	1.200	0.080	0.164	70
1/2" #18	23.0	0.500	1.200	0.087	0.164	70
1/2" #16	29.0	0.500	1.200	0.087	0.164	70
1/2" #13	60.0	0.500	1.200	0.119	0.225	70
3/4" #18	15.0	0.923	2.000	0.106	0.200	85
3/4" #16	17.0	0.923	2.000	0.106	0.202	83
3/4" #13	29.0	0.923	2.000	0.107	0.202	80
3/4" #9 (10ga)	65.5	0.923	2.000	0.160	0.300	67
1-1/2" #16	14.5	1.333	3.000	0.115	0.222	85
1-1/2" #13	22.0	1.333	3.000	0.115	0.222	83
1-1/2" #9 (10ga)	44.0	1.333	3.000	0.155	0.280	77

All weights, gauges and dimensions are approximate.

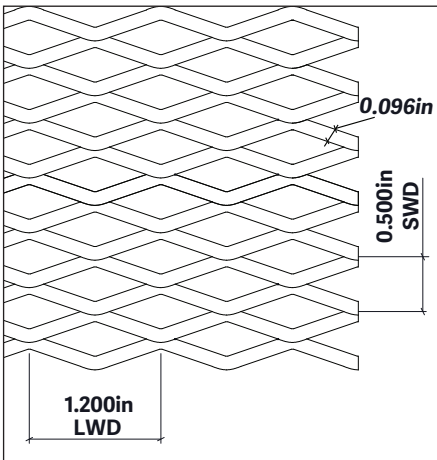
Expanded Metal - Raised. Weights and Dimensions

ALUMINUM - RAISED

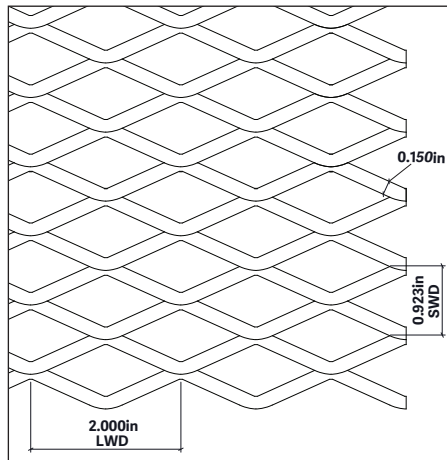
STYLE	LBS. PER 4 X 8 SHEET	DESIGN SIZE (IN.)		STRAND WIDTH (IN.)	OVERALL THICKNESS (IN.)	% OPEN AREA
	PLAIN	SWD	LWD	WIDTH		
3/16" 0.032	8.5	0.207	0.125	0.032	0.095	42
1/2" 0.051	9.0	0.500	1.200	0.093	0.158	65
1/2" 0.081	14.0	0.500	1.200	0.081	0.186	60
3/4" 0.051	5.5	0.923	2.000	0.051	0.200	78
3/4" 0.081 (L)	10.0	0.923	2.000	0.081	0.220	76
3/4" 0.081 (H)	13.0	0.923	2.000	0.081	0.300	69
3/4" 0.125	21.0	0.923	2.000	0.125	0.305	68
3/4" 0.187	33.5	1.150	3.000	0.180	0.180	61
1-1/2" 0.081	7.0	1.333	3.000	0.081	0.240	85
1-1/2" 0.125	13.0	1.333	3.000	0.162	0.3	79

All weights, gauges and dimensions are approximate.

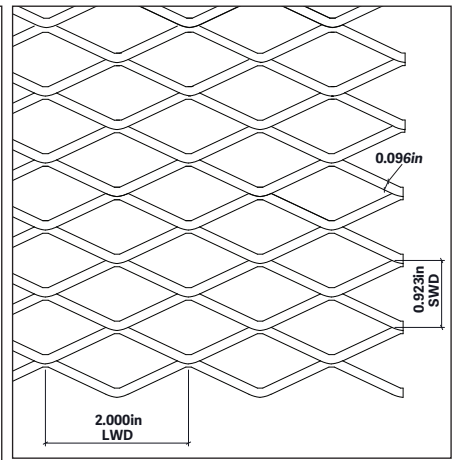
Expanded Raised - Sample Patterns and Measurements



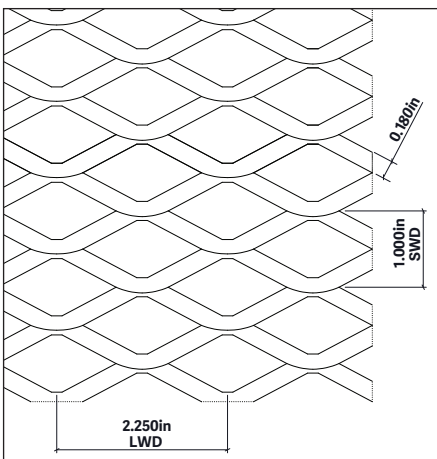
Steel Expanded Raised (1/2" - #13)



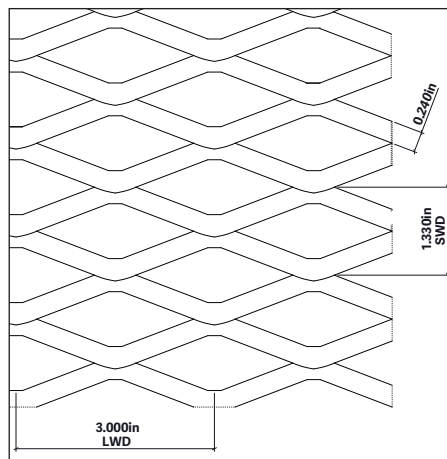
Steel Expanded Raised (3/4" - #9 10ga)



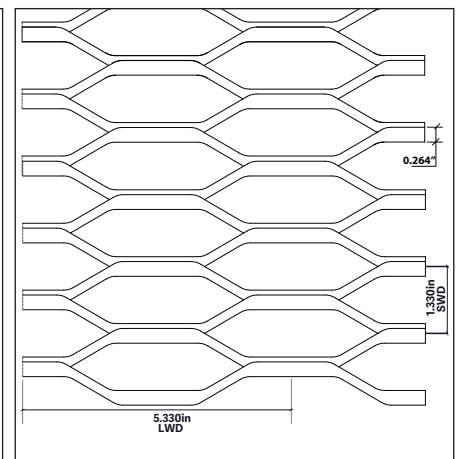
Steel Expanded Raised (3/4" - #13)



Steel Expanded Raised (1" - #10H)



Steel Expanded Raised (1-1/2" - #10H)



Steel Expanded Grating (3LB)