



ACCURATE
SCREEN & GRATING

FIBREGLASS GRATING - MOLDED

1" x 1" x 4" RECTANGLE (GRIT-TOP/NON GRIT-TOP)

VANCOUVER

19082-28th Avenue
Surrey, BC
Canada V3S 6M3
TF: 877.687.3488

CALGARY

7571-57th Street SE
Calgary, AB
Canada T2C 5M2
TF: 877.857.0323

EDMONTON

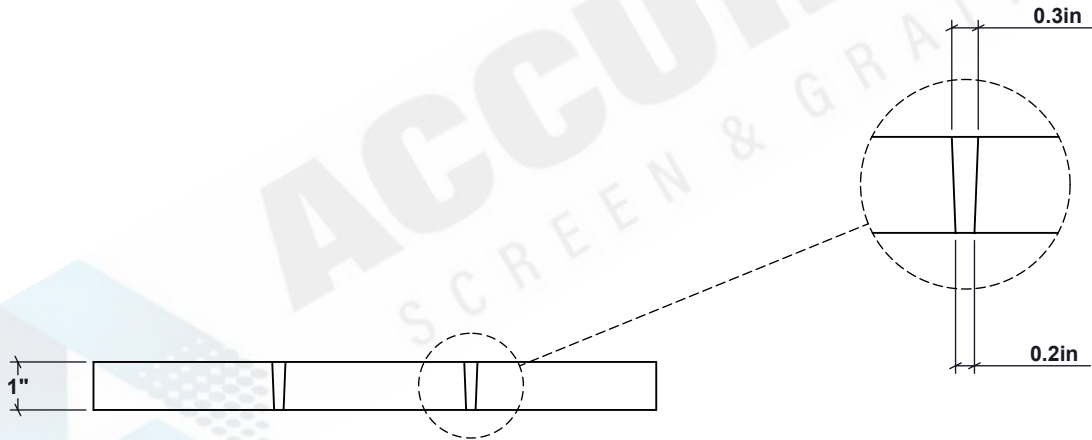
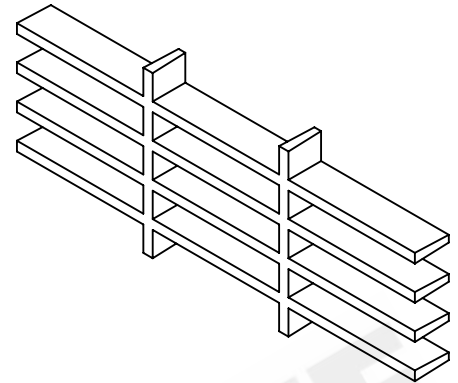
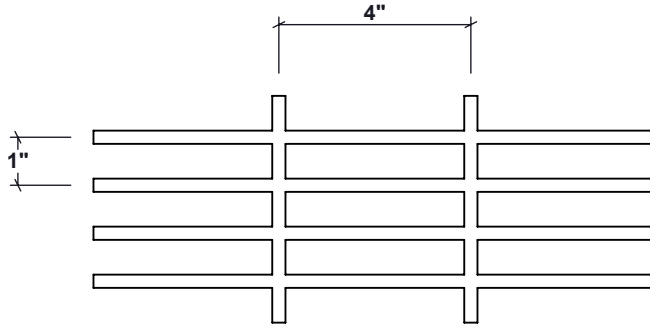
#54-1015 Eby Road SW
Edmonton, AB
Canada T6X 2N9
TF: 877.857.0323

TORONTO

#5-5655 Kennedy Rd
Mississauga, ON
Canada L4Z 3E1
TF: 877.564.3381

MONTREAL

440 Rue Stinson
Saint Laurent, QC
Canada H4N 2E9
TF: 855.325.3826



| IMPERIAL LOAD TABLE | | | | | | | | | | | | |
|---------------------|-----------------|------------------|--------------|-------------|-------------|-------------|-------------|-------------|-------------|------|--------------------------|------------------------|
| SPAN (INCHES) | GRATING TYPE | | LOAD (LB/SF) | | | | | | | | Max | |
| | HEIGHT (INCHES) | OPENING (INCHES) | 50 | 100 | 150 | 200 | 300 | 500 | 1000 | 2000 | Recommended Load (Lb/SF) | Breaking Point (Lb/SF) |
| 12 | 1 | 1 x 4 | <.01 / <.01 | <.01 / 0.01 | <.01 / 0.01 | 0.01 / 0.02 | 0.02 / 0.02 | 0.03 / 0.04 | 0.03 / 0.08 | | 1960 / 1070 | 9800 / 5350 |
| 18 | 1 | 1 x 4 | 0.01 / 0.01 | 0.03 / 0.02 | 0.04 / 0.04 | 0.05 / 0.05 | 0.07 / 0.07 | 0.12 / 0.12 | 0.23 / 0.23 | | 960 / 710 | 4800 / 3560 |
| 24 | 1 | 1 x 4 | 0.04 / 0.03 | 0.07 / 0.06 | 0.11 / 0.09 | 0.15 / 0.12 | 0.22 / 0.18 | 0.37 / 0.30 | | | 560 / 530 | 2800 / 2670 |
| 30 | 1 | 1 x 4 | 0.09 / 0.05 | 0.18 / 0.11 | 0.26 / 0.17 | 0.35 / 0.22 | 0.53 / 0.33 | | | | 336 / 420 | 1680 / 2140 |
| 36 | 1 | 1 x 4 | 0.18 / 0.09 | 0.35 / 0.17 | 0.53 / 0.26 | | | | | | 240 / 350 | 1200 / 1780 |
| 42 | 1 | 1 x 4 | 0.32 / 0.15 | 0.63 / 0.30 | | | | | | | 183 / 300 | 915 / 1520 |

TABLE OF SAFE LOADS - IMPERIAL

U - Safe Uniform Load, in lbs. per sq. ft.

C - Safe Concentrated Load, in lbs. per foot of grating width

GENERAL

Loads and deflections are theoretical and based on static loading.