



# FIBREGLASS GRATING - PULTRUDED

I-6010

I-BAR

25 x 15 x 23 I-BAR (GRIT-TOP/NON GRIT-TOP)

**ACCURATE**  
SCREEN & GRATING

**VANCOUVER**

19082-28th Avenue  
Surrey, BC  
Canada V3S 6M3  
TF: 877.687.3488

**CALGARY**

7571-57th Street SE  
Calgary, AB  
Canada T2C 5M2  
TF: 877.857.0323

**EDMONTON**

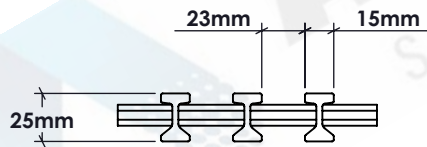
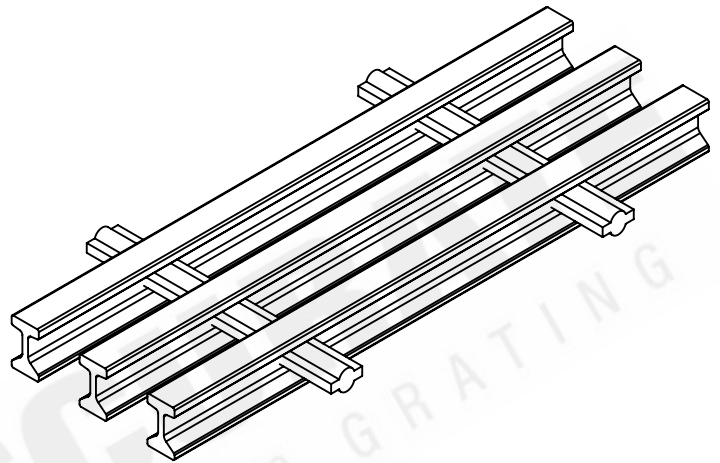
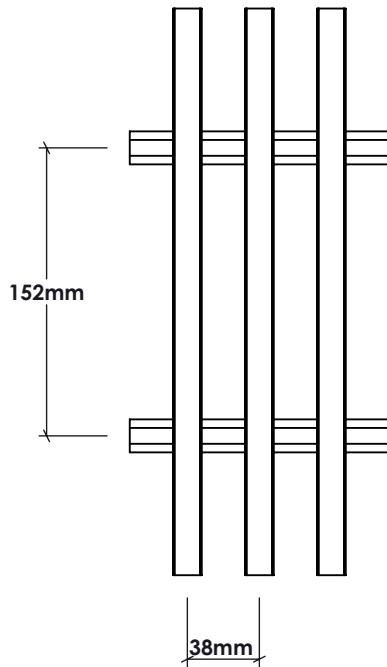
#54-1015 Eby Road SW  
Edmonton, AB  
Canada T6X 2N9  
TF: 877.857.0323

**TORONTO**

#5-5655 Kennedy Rd  
Mississauga, ON  
Canada L4Z 3E1  
TF: 877.564.3381

**MONTREAL**

440 Rue Stinson  
Saint Laurent, QC  
Canada H4N 2E9  
TF: 855.325.3826



DEFLECTION IN MILLIMETER - I-BAR PULTRUDED GRATING LOAD TABLES - UNIFORM / CONCENTRATED

SPAN (MM)	BEARING BAR DIMENSIONS		SPACING BETWEEN BARS		LOAD (KPA)								Max Recommended Load (KPA)	
	HEIGHT (MM)	WIDTH (MM)	CENTER TO CENTER	GAP BETWEEN BARS	2.40	4.79	7.19	9.58	14.37	23.95	47.90	95.80		
305	25	15	38	23	<.01 / <.01	<.01 / <.01	<.01 / <.01	<.01 / <.01	<.01 / <.01	<.01 / <.01	<.01 / <.01	<.01 / <.01	<.01 / <.01	498 / 249
457	25	15	38	23	<.01 / <.01	<.01 / <.01	<.01 / <.01	<.01 / <.01	<.01 / <.01	<.01 / <.01	<.01 / <.01	<.01 / <.01	<.01 / <.01	237 / 178
610	25	15	38	23	<.01 / <.01	<.01 / <.01	<.01 / <.01	<.01 / <.01	<.01 / <.01	<.01 / <.01	.01 / <.01	.02 / .02		139 / 139
762	25	15	38	23	<.01 / <.01	<.01 / <.01	<.01 / <.01	.01 / <.01	.01 / <.01	.02 / <.01	.03 / .02			89 / 111
914	25	15	38	23	<.01 / <.01	.01 / <.01	.02 / <.01	.02 / .01	.03 / .02					62 / 59
1067	25	15	38	23	.01 / <.01	.02 / <.01	.03 / .01							45 / 79
1219	25	15	38	23	.02 / <.01	.03 / .01								34 / 69
1372	25	15	38	23	.03 / .01									27 / 61

**TABLE OF SAFE LOADS - METRIC**

U - Safe Uniform Load, in KPA  
C - Safe Concentrated Load, in KPA

**GENERAL**

Loads and deflections are theoretical and based on static loading.