

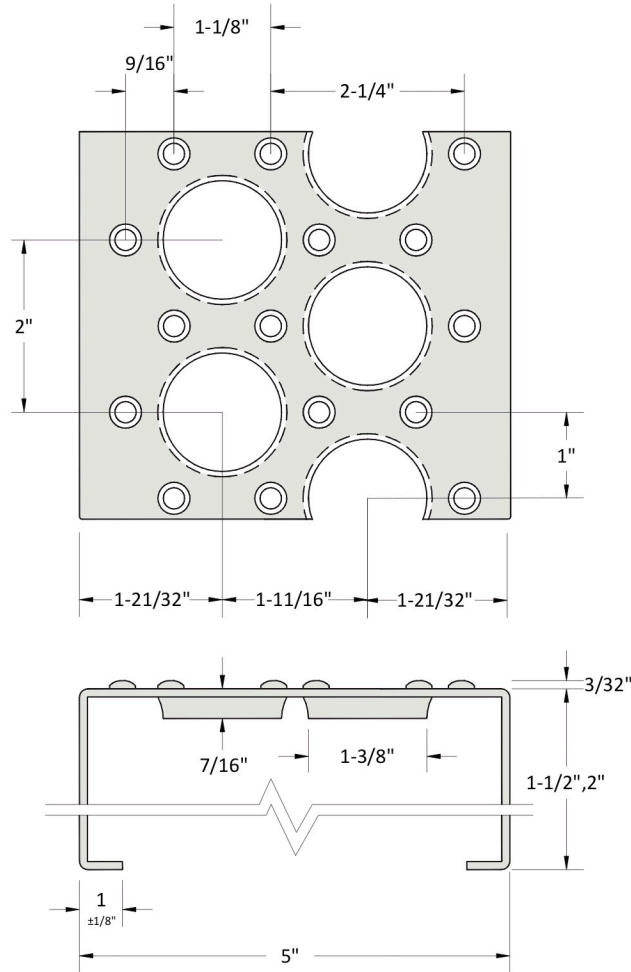


# ROUND CHANNEL GRATING

2 Hole

**5"**  
(127mm) Wide

**3**  
CHANNEL GRATING



ACCEPTABLE LOADING FOR CLEAR SPAN: UNIFORM/CONCENTRATED (LBS)								
WIDTH	DEPTH	ALLOY	GAUGE	24" SPAN	36" SPAN	48" SPAN	60" SPAN	72" SPAN
5"	1.5"	Galv./Steel	13ga	1947/811	868/542	490/408	315/328	220/275
			11ga	2832/1172	1259/781	708/586	453/469	315/391
	2.0"	Galv./Steel	13ga	2943/973	1311/819	739/616	475/495	331/414
			11ga	4278/1738	1901/1159	1070/869	685/695	475/579
		Alum.	0.125ga	2479/1033	1102/689	620/516	397/413	275/344 NR
		304ss	14ga	3295/1373	1464/915	824/686	527/549	366/458
	316ss	14ga	3295/1373	1464/915	824/686	527/549	366/458	

**NR = Not Recommended**

Loads and deflections are theoretical and based on static loading.

