



ACCURATE
SCREEN & GRATING

FIBREGLASS GRATING - MOLDED

1.0" x 1.5" x 1.5" SQUARE (GRIT-TOP/NON GRIT-TOP)

VANCOUVER

19082-28th Avenue
Surrey, BC
Canada V3S 6M3
TF: 877.687.3488

CALGARY

7571-57th Street SE
Calgary, AB
Canada T2C 5M2
TF: 877.857.0323

EDMONTON

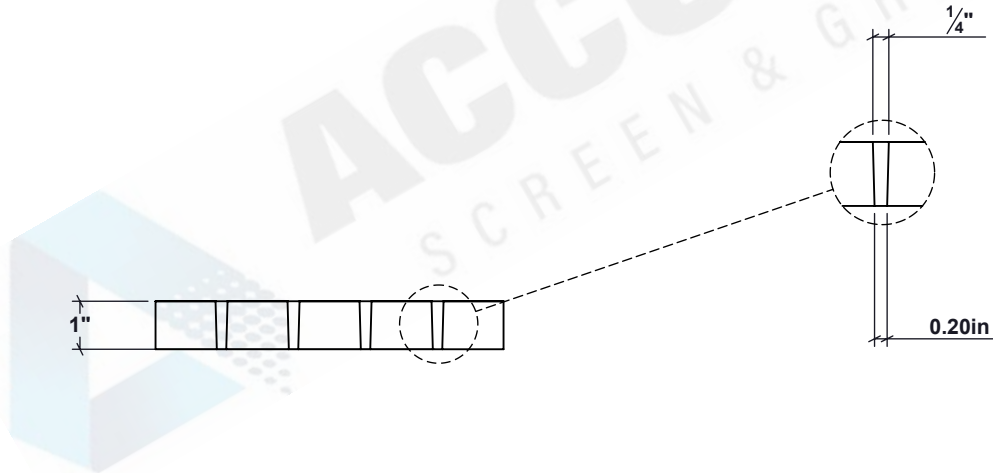
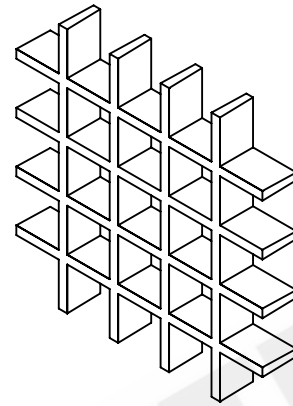
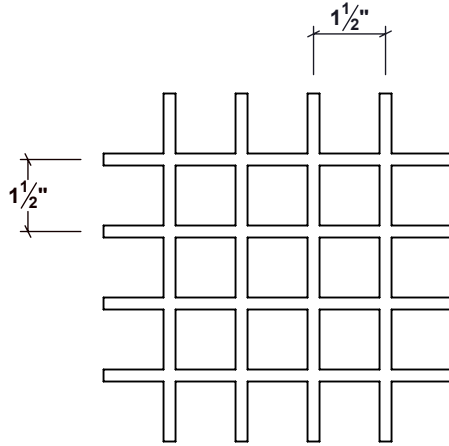
#54-1015 Eby Road SW
Edmonton, AB
Canada T6X 2N9
TF: 877.857.0323

TORONTO

#5-5655 Kennedy Rd
Mississauga, ON
Canada L4Z 3E1
TF: 877.564.3381

MONTREAL

440 Rue Stinson
Saint Laurent, QC
Canada H4N 2E9
TF: 855.325.3826



IMPERIAL LOAD TABLE												
SPAN (INCHES)	GRATING TYPE		LOAD (LB/SF)								Max	
	HEIGHT (INCHES)	OPENING (INCHES)	50	100	150	200	300	500	1000	2000	Recommended Load (Lb/SF)	Breaking Point (Lb/SF)
12	1	1.5 x 1.5	<.01 / <.01	<.01 / 0.01	<.01 / 0.02	<.01 / 0.03	0.02 / 0.04	0.04 / 0.06	0.08 / 0.13	0.16 / 0.20	1420 / 710	7120 / 3560
18	1	1.5 x 1.5	0.02 / 0.02	0.04 / 0.04	0.06 / 0.06	0.08 / 0.08	0.11 / 0.12	0.20 / 0.20	0.38 / 0.41		630 / 470	3170 / 2370
24	1	1.5 x 1.5	0.06 / 0.05	0.12 / 0.30	0.19 / 0.15	0.25 / 0.20	0.37 / 0.30	0.43 / 0.36			350 / 350	1780 / 1780
30	1	1.5 x 1.5	0.14 / 0.09	0.27 / 0.18	0.41 / 0.28	0.30 / 0.35					220 / 280	1140 / 1420
36	1	1.5 x 1.5	0.31 / 0.16								150 / 230	790 / 1180
42	1	1.5 x 1.5	0.49 / 0.26								110 / 200	580 / 1010

TABLE OF SAFE LOADS - IMPERIAL

U - Safe Uniform Load, in lbs. per sq. ft.
C - Safe Concentrated Load, in lbs. per foot of grating width

GENERAL

Loads and deflections are theoretical and based on static loading.