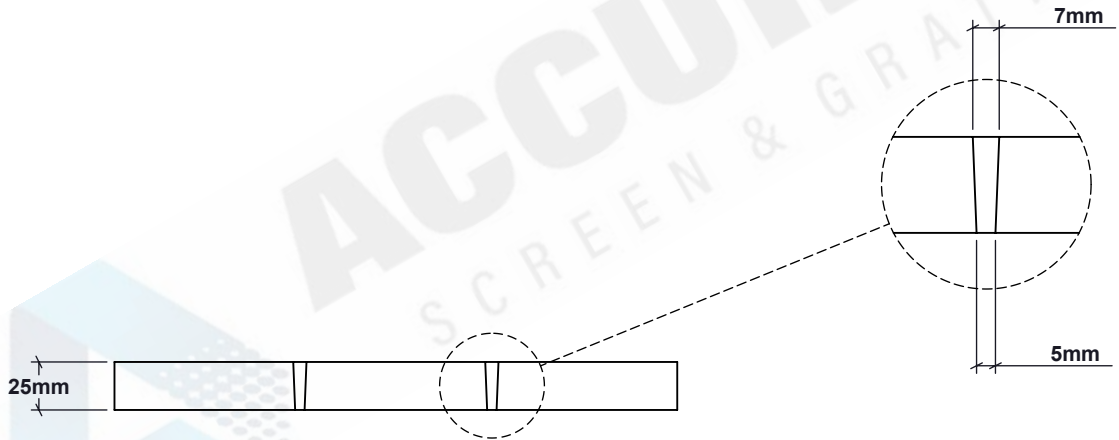
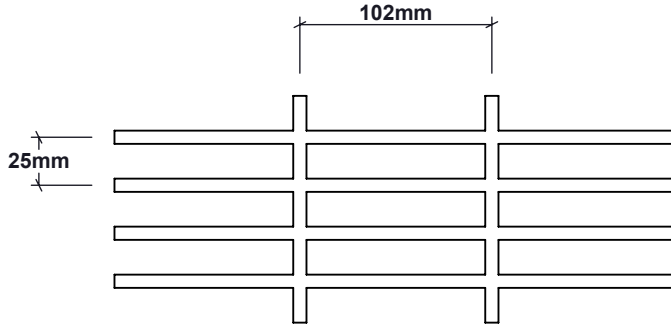
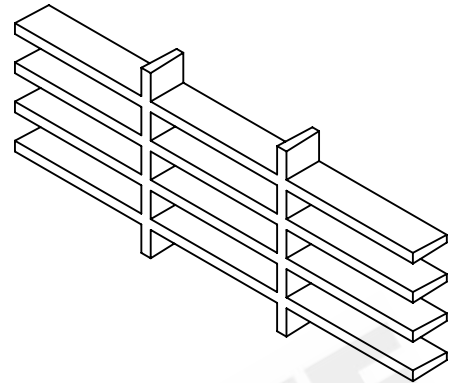




**ACCURATE**  
SCREEN & GRATING

# FIBREGLASS GRATING - MOLDED

## 25 x 25 x 102 RECTANGLE (GRIT-TOP/NON GRIT-TOP)



**VANCOUVER**

19082-28th Avenue  
Surrey, BC  
Canada V3S 6M3  
TF: 877.687.3488

**CALGARY**

7571-57th Street SE  
Calgary, AB  
Canada T2C 5M2  
TF: 877.857.0323

**EDMONTON**

#54-1015 Eby Road SW  
Edmonton, AB  
Canada T6X 2N9  
TF: 877.857.0323

**TORONTO**

#5-5655 Kennedy Rd  
Mississauga, ON  
Canada L4Z 3E1  
TF: 877.564.3381

**MONTREAL**

440 Rue Stinson  
Saint Laurent, QC  
Canada H4N 2E9  
TF: 855.325.3826

METRIC LOAD TABLE													
SPAN (MM)	GRATING TYPE		LOAD (KPA)								Max Recommended Load (KPA)	Breaking Point (KPA)	
	HEIGHT (MM)	OPENING (MM)	2.40	4.79	7.19	9.58	14.37	23.95	47.90	95.80			
305	25	25 X 102	<0.3 / <0.3	<0.3 / <0.3	<0.3 / <0.3	0.51 / 0.51	0.51 / 0.51	1.02 / 1.02				51.3 / 51.3	256.3 / 256.3
457	25	25 X 102	0.25 / 0.25	0.51 / 0.51	1.02 / 1.02	1.27 / 1.27	1.78 / 1.78	3.05 / 3.05				34.0 / 34.0	170.5 / 170.5
610	25	25 X 102	0.76 / 0.76	1.52 / 1.52	2.29 / 2.29	3.05 / 3.05	4.57 / 4.57	7.62 / 7.62				25.4 / 25.4	127.9 / 127.9
762	25	25 X 102	1.27 / 1.27	2.79 / 2.79	4.32 / 4.32	5.59 / 5.59	8.38 / 8.38					20.1 / 20.1	102.5 / 102.5
914	25	25 X 102	2.29 / 2.29	4.32 / 4.32	6.60 / 6.60							16.8 / 16.8	85.3 / 85.3
1067	25	25 X 102	3.81 / 3.81	7.62 / 7.62								14.4 / 14.4	72.8 / 72.8

**TABLE OF SAFE LOADS - METRIC**

U - Safe Uniform Load, in KPA  
C - Safe Concentrated Load, in KPA

**GENERAL**

Loads and deflections are theoretical and based on static loading.